

HIGH PERFORMANCE VALVES



BUTTERFLY VALVE

Standards :

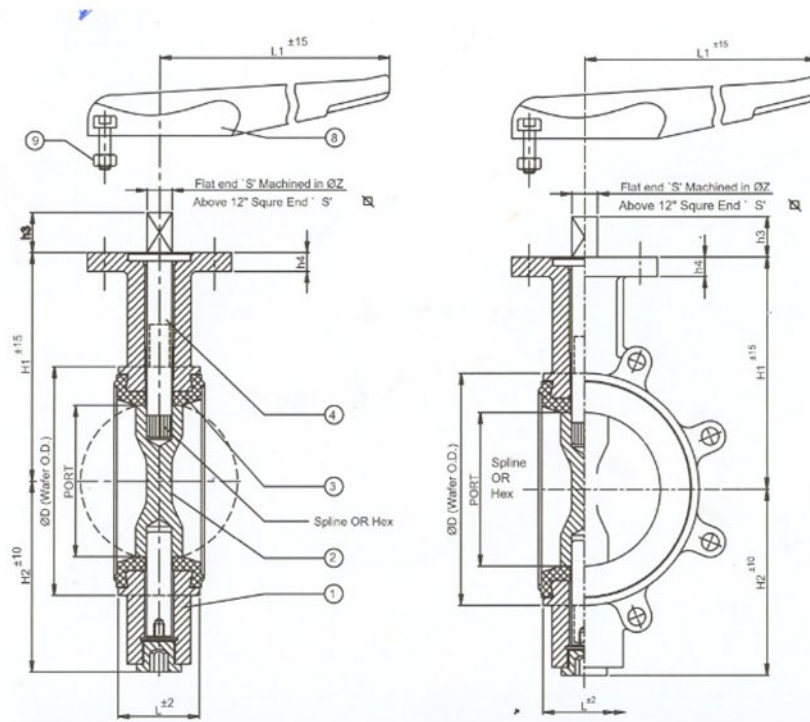
- Design and Manufacturing Standard as per API 609/BS 5155/IS 13095.
- Face to Face & End to End Dimensions Standard as per API 609/BS 5155/IS 13095.
- Water End Connection Dimensions Standard as per ANSI B 16.5 150#/BS 4504 PN-10-16 150#/BS 4504
- Inspection & Testing Standard as per ISO 5208 { Replace of BS 6755 Part-1}

Features :

- Design: SureSeal , Replaceable, Wafer, Lugged, Offset Disc, Double Flanged.
- Pressure Rating Class: PN 10/PN 16/ 150#.
- Ends : Wafer, Double Flanged.
- Size Range: 40mm to 700mm.



BUTTERFLY VALVE



PARTS NAME & MATERIALS

| Sr. No. | Parts | Materials |
|---------|-------|---|
| 1. | BODY | GG 25* / GGG 40* / A 126 WCB* / A 351 CF 8/ CF 8M |
| 2. | DISC | GG 25* / GGG 40* / A 126 WCB* / A 351 CF 8/ CF 8M |
| 3. | SEAT | NITRITE / EPDM / PTFE |
| 4. | STEM | AISI 410 / AISI 304 / AISI 316 |
| 5. | LEVER | CARBON STEEL |



| | 50 | 65 | 80 | 100 | 150 | 200 | 250 | 300 | 350 | 400 | 450 | 500 | 600 |
|-----------|------|------|------|-----|-----|-------|-------|-----|-----|-----|-----|-----|-----|
| B | 43 | 46 | 46 | 52 | 56 | 60 | 68 | 78 | 78 | 102 | 114 | 127 | 154 |
| C | 99 | 110 | 116 | 134 | 77 | 235 | 259 | 284 | 335 | 380 | 410 | 440 | 495 |
| E | 129 | 140 | 146 | 160 | 207 | 300 | 332 | 357 | 357 | 403 | 433 | 467 | 522 |
| F | 55.5 | 67.5 | 73.5 | 92 | 120 | 150.5 | 194.5 | 226 | 269 | 298 | 329 | 359 | 439 |
| H | 96 | 105 | 123 | 157 | 212 | 262 | 322 | 373 | 433 | 390 | 546 | 600 | 714 |
| ZN | 27 | 47 | 63 | 83 | 136 | 185 | 234 | 280 | 326 | 370 | 422 | 470 | 566 |
| ZF | 4 | 10 | 16 | 23 | 45 | 67 | 88 | 106 | 127 | 140 | 160 | 178 | 215 |





NEO VALVES INDUSTRIES

AN ISO 9001-2015 CERTIFIED COMPANY

NEO VALVE INDUSTRIES

#90 2nd PHASE KIADB
TARIHAL INDUSTRIAL ESTATE
TARIHAL,
HUBLI - 580026
+919845254403
email: neovalves@yahoo.co.in
www.neovalves.co.in



MARKETING OFFICE

SR-24, M.T.
Sagar Industrial Estate,
Gokul Road,
Hubli - 580030
+91-9845151791
email: neovalves@yahoo.co.in



MARKETING OFFICE

SHAAMA NANDANA COMPLEX
1st Floor,
Kulai Hosabettu,
MANGALORE - 575019
+91-9845254403
email: neovalves@yahoo.co.in

MANUAL VALVES VALVES AUTOMATION
CONTROL VALVES CUSTOMIZED VALVES

