

HIGH PERFORMANCE VALVES



FORGED GATE VALVE

Standards :

- Design and manufacturing Standard as per BS EN ISO 17292.
- Face to Face & end to End Dimensions Standard as per ASME B16.10
- Flange Dimensions Standards as per ISO 5208 {Replace of BS 6755(Part-1)}
- Fire Safe Design as per Api 607

Features :

- Design: Single Piece, Two Piece, Three Piece, Trunnion Mounted, Jacketed.
- Pressure Rating Class: 150#, 300#, 600#, 800#, 900#, 1500#.
- Operation: Manual Lever, Manual Gear Box, Electrical & Pneumatic actuator.
- Ends: Flanged, Screwed, Socket Weld, Butt Weld, Flanged Butt Weld.
- Size Range: 15mm to 200 mm

TESTING PRESSURE(Kg/cm²)

HYDRO- STATIC	SHELL	207
	SEAT	152
	BACKSEAT	152
AIR	SEAT	6.9

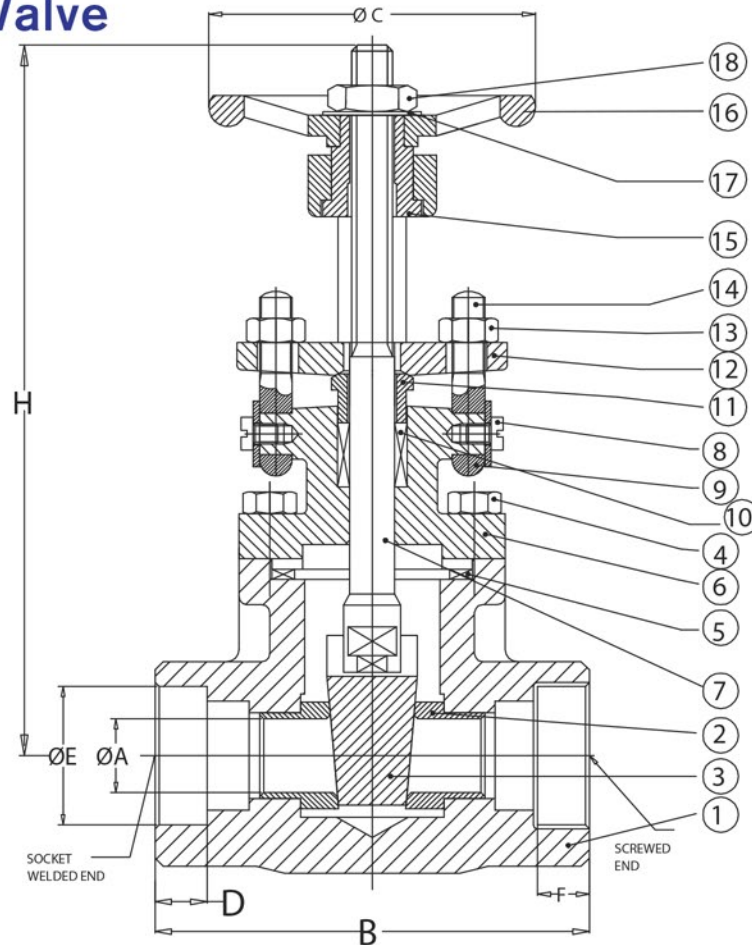
ENDS	STANDARD
BUTTS	B 16.25
SCREWED	B 1.20.1
	BS 21
	IS 554
SOCKET	B 16.11
WELD	IS 4712



CLASS		600/800							
SIZE		8	10	15	20	25	32	40	50
Ø A		6.4	6.4	9.5	12.7	17.5	23	28	36
B		88	88	88	92	106	128	128	140
Ø C		90	90	90	90	100	150	150	150
D		9.7	9.7	9.7	12.7	12.7	12.7	12.7	15.8
Ø E		14.2	17.6	21.8	27.2	33.9	42.7	48.8	61.2
F		10.2	10.4	15	16.5	19	23	23	24
Ø G		14.1	17.5	23	28	35	44	50	62
H APPROX	OPEN	162	162	162	175	193	270	270	275
	CLOSE	154	154	152	162	169	234	234	236
Ø S	SCH-40	9.3	12.5	15.8	20.9	26.7	35.1	40.9	52.5
	SCH-80	7.7	10.8	13.9	18.9	24.3	32.5	38.1	49.3
	SCH-160			11.8	15.6	20.7	29.5	34	42.9
WT-KGS-APPROX		2.4	2.4	2.4	2.7	3.7	8.2	8.2	12.2



Forged Gate Valve



PARTS NAME & MATERIALS

Sr. No.	Parts	Materials
1.	BODY	ASTM A-105, A-182, F-304/F-316
2.	SEAT RING	A-276 410/304/316
3.	WEDGE	A-217 CA-15,A-351 CF-8/CF-8M
4.	HEX BOLTS	A-217 CA-15,A-351 CF-8/CF-8M
5.	GASKETS	SPIRAL WOUND SS:304+GRAPHITE
6.	BONNET	SPIRAL WOUND SS:304+GRAPHITE
7.	STEM	A-276 410/304/316
8.	SCREW	STEEL
9.	WASHER	STEEL
10.	PACKING	GRAPHITED RINGS
11.	GLAND	A-276 410/304/316
12.	GLAND FLANGE	ASTM A-105, A-182, F-304/F-316
13.	EYE BOLT NUT	STEEL
14.	EYE BOLT STUD	STEEL
15.	YOKE SLEENE	S.G.IRON/SS 416
16.	HAND WHEEL	S.G.IRON
17.	NAME PLATE	STAINLESS STEEL
18.	HAND WHEEL NUT	STEEL





NEO VALVES INDUSTRIES

AN ISO 9001:2015 CERTIFIED COMPANY
IBR APPROVED

NEO VALVE INDUSTRIES

#90 2nd PHASE KIADB
TARIHAL INDUSTRIAL ESTATE
TARIHAL,
HUBLI - 580026
+919845254403
email: neovalves@yahoo.co.in
www.neovalves.co.in



MARKETING OFFICE

SR-24, M.T.
Sagar Industrial Estate,
Gokul Road,
Hubli - 580030
+91-9845151791
email: neovalves@yahoo.co.in

MARKETING OFFICE

SHAAMA NANDANA COMPLEX
1st Floor,
Kulai Hosabettu,
MANGALORE - 575019
+91-9845254403
email: neovalves@yahoo.co.in



OVERSEAS MARKETING OFFICE

Honesty & perfection
Cleaning services
305, SMJ2 building,
Near Dominos Pizza,
Damascus street, AL qusais,
Dubai(UAE)
email: neovalves@yahoo.co.in

MANUAL VALVES VALVES AUTOMATION
CONTROL VALVES CUSTOMIZED VALVES

