



A,AS-Series (Quarter Turn Worm Gear Boxes)

"A,AS" series Quarter Turn Worm Gear Boxes are High Performance Gear Boxes used to operate Butterfly, Ball, Plug Valves & Dampers Manually.

PRODUCT DESCRIPTION:

- ◆ High Performance Gear Boxes by Robust Construction & Compact Design
- ◆ Meeting QUALITY, PERFORMANCE and DELIVERY.
- ◆ Torque range from 245 Nm to 73575 Nm.
- ◆ Output Travel - 0° to 90° ($\pm 5^\circ$)
- ◆ Self-locking Mechanism (Worm & Worm Wheel)
- ◆ Standard Version : Clockwise Input = Clockwise Output to Close
- ◆ IP-67 Enclosure
- ◆ Working Temperature -20°C to +120°C
- ◆ Graded Cast Iron Housing and Worm Wheel in Ductile Iron
- ◆ High Tensile Fasteners
- ◆ High performance Bearings
- ◆ Sturdy Hand wheel with Black Powder coating for Easy and Smooth Operation
- ◆ Semi-Glossy Black Epoxy Paint as Standard
- ◆ Gear Boxes lubricated with Multi-purpose Grease
- ◆ Gear Box Mounting as per ISO 5211 Std.

FEATURES:

- ◆ Housing, Cover and Worm Wheel material also available in Ductile Iron/Carbon Steel/Stainless Steel/Nickel Aluminium Bronze material or as required as optional.
- ◆ Worm and Shaft are also available in Stainless Steel, Aluminium Bronze (AB1/AB2) material as optional.
- ◆ Fasteners and Hand wheel also available in Stainless Steel as optional.
- ◆ Grease Nipple, Padlock Arrangement and Chain Wheel Arrangement also available as optional.
- ◆ Buried Service Gear Boxes with Extension Shaft Arrangement also available.
- ◆ IP-68 Enclosure available against requirement.
- ◆ Limit Switch Box Fitment Mounting also available.
- ◆ Gear Boxes for Low Temperature and High Temperature applications also available.
- ◆ Half Turn (180°) and Multi-Turn (360°) operational gear boxes also available.
- ◆ RL - Version Optional.

TESTING FACILITIES:

- ◆ Test Rig to measure the Performance Factor (P.F)
- ◆ Endurance test Setup

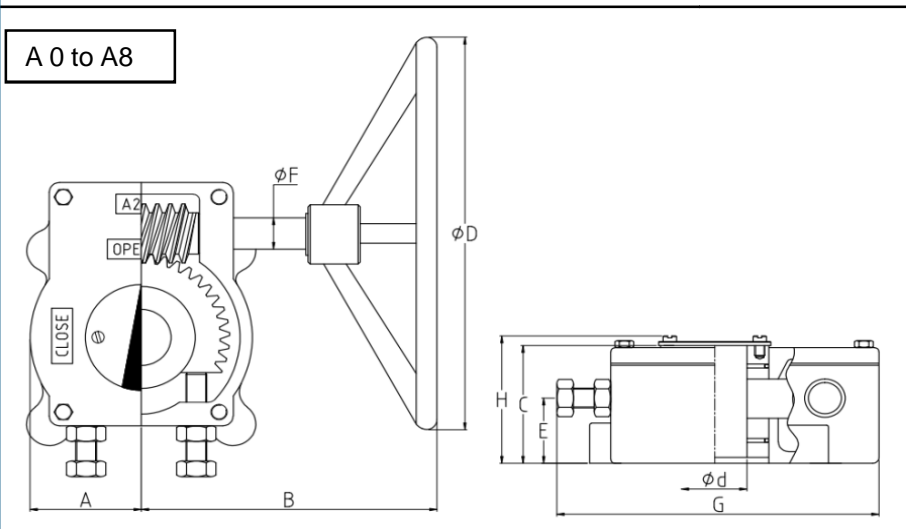
NEO VALVES INDUSTRIES

90 F KIADB ,TARIHAL INDUSTRIAL AREA , TARIHAL, HUBLI,KARNATAKA (INDIA)

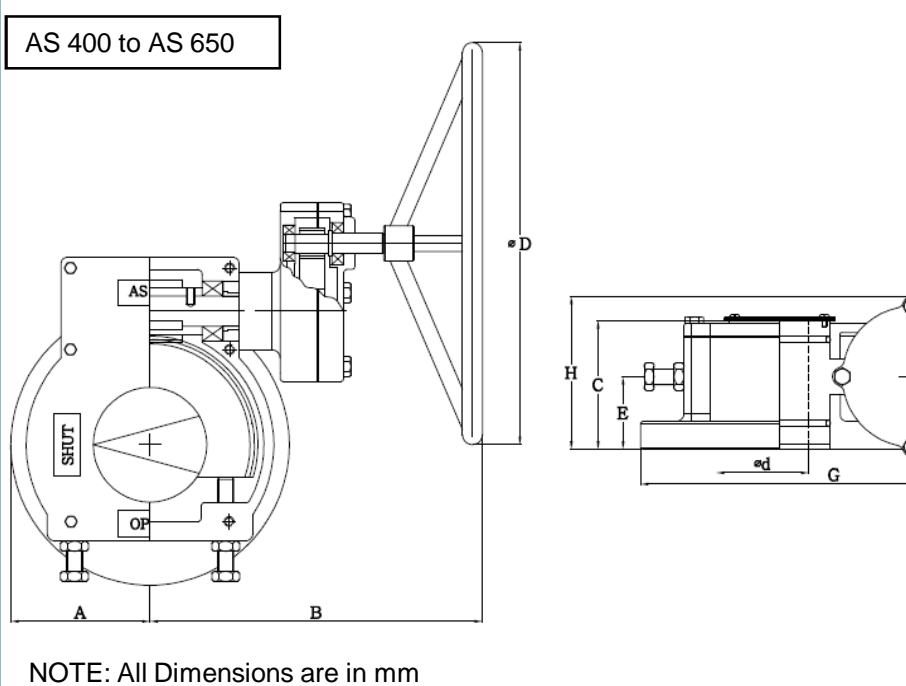
CONTACT US :

PHONE: +91 - 98452 54403

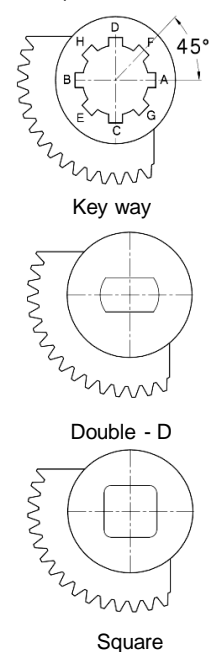
E mail: neovalves@yahoo.co.in , purchase@neovalves.co.in WEBSITE: www.neovalves.co.in



BILL OF MATERIALS		
SL NO	COMPONENTS	MATERIAL
1	BODY & COVER	CI-FG 220
2	WORM WHEEL	SGI 600/3
3	SPURE GEAR	EN19
4	PINION GEAR	EN 19
5	O RING	VITON
6	FASTNERS	8.8 (TVS)
7	GREASE	AP3
8	THRUST BEARING	STD
9	BUSH	SELF LUBRICATED
10	HAND WHEEL	MS FABRICATED
11	KEY	
12	CIRCLIP	
13	INDICATOR	MS



Viewed from top at Close condition



NOTE: All Dimensions are in mm

TECHNICAL DATA							DIMENSIONAL DATA							
MODEL	O/P TORQUE (NM)	RATIO	MA ±10%	BORE Ød (Max)	FLANGE ISO 5211	WT (Kg)	A	B	C	E	ØF	H	G	ØD
A0	250	32:1	8	25	F05/F07	2.5	45	180	45	25	12	52	125	200
A1	350	33:1	10	28	F07/F10	3	50	195	50	30	16	55	135	250
A2	500	40:1	11	36	F10/F12	5	54	205	58	33	16	64	150	300
A3	700	49:1	13	38	F12/F14	6	64	265	65	41	16	75	175	300
A4	1000	44:1	12	45	F12/F14	7	54	250	75	46	18	80	185	400
A5	1500	49:1	14	50	F14/F16	11	80	295	80	52	20	87	216	500
A7	2200	52:1	12	55	F14/F16	17	94	344	92	54	25	98	264	600
A8	3300	60:1	13.5	70	F14/F16	27	118	385	100	54	30	110	300	700
AS400	4000	168:1	32	75	F16/F25	35	115	401	86	75	30	102	180	500
AS500	5000	252:1	50	65	F16/F25	38	138	408	112	131	30	138	541	500
AS600	6500	264:1	60	80	F16/25	50	140	398	128	73	20	150	335	500